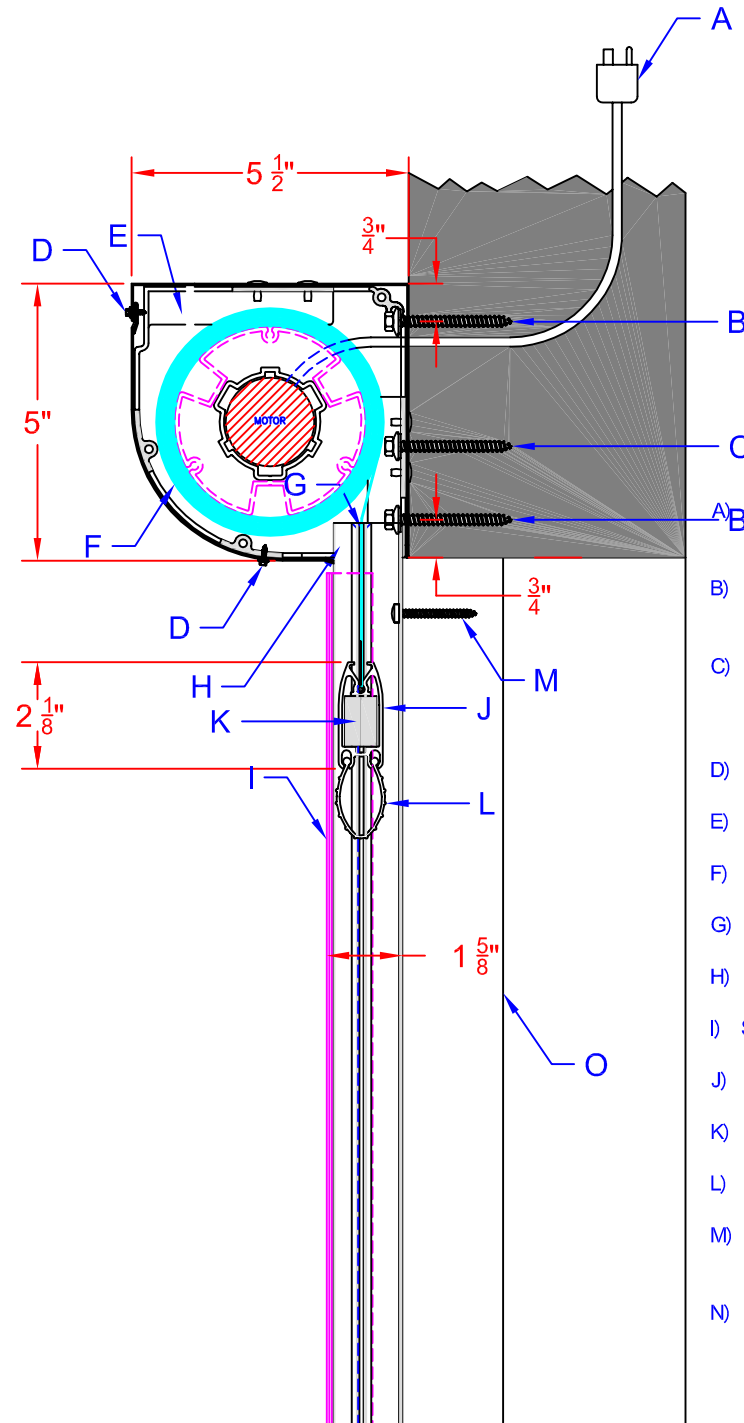
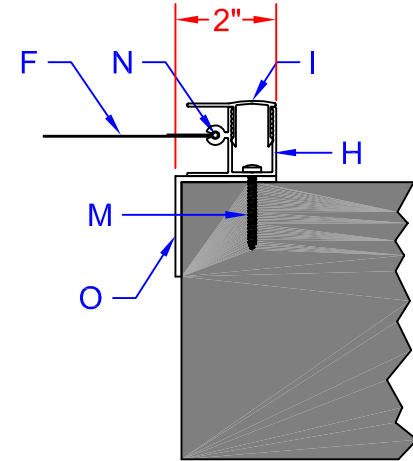


DETAIL AA



DETAIL BB

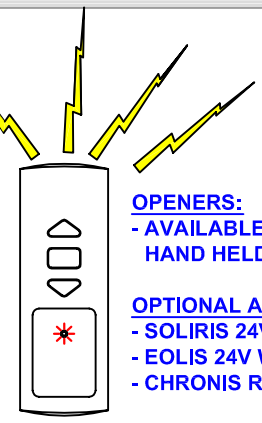
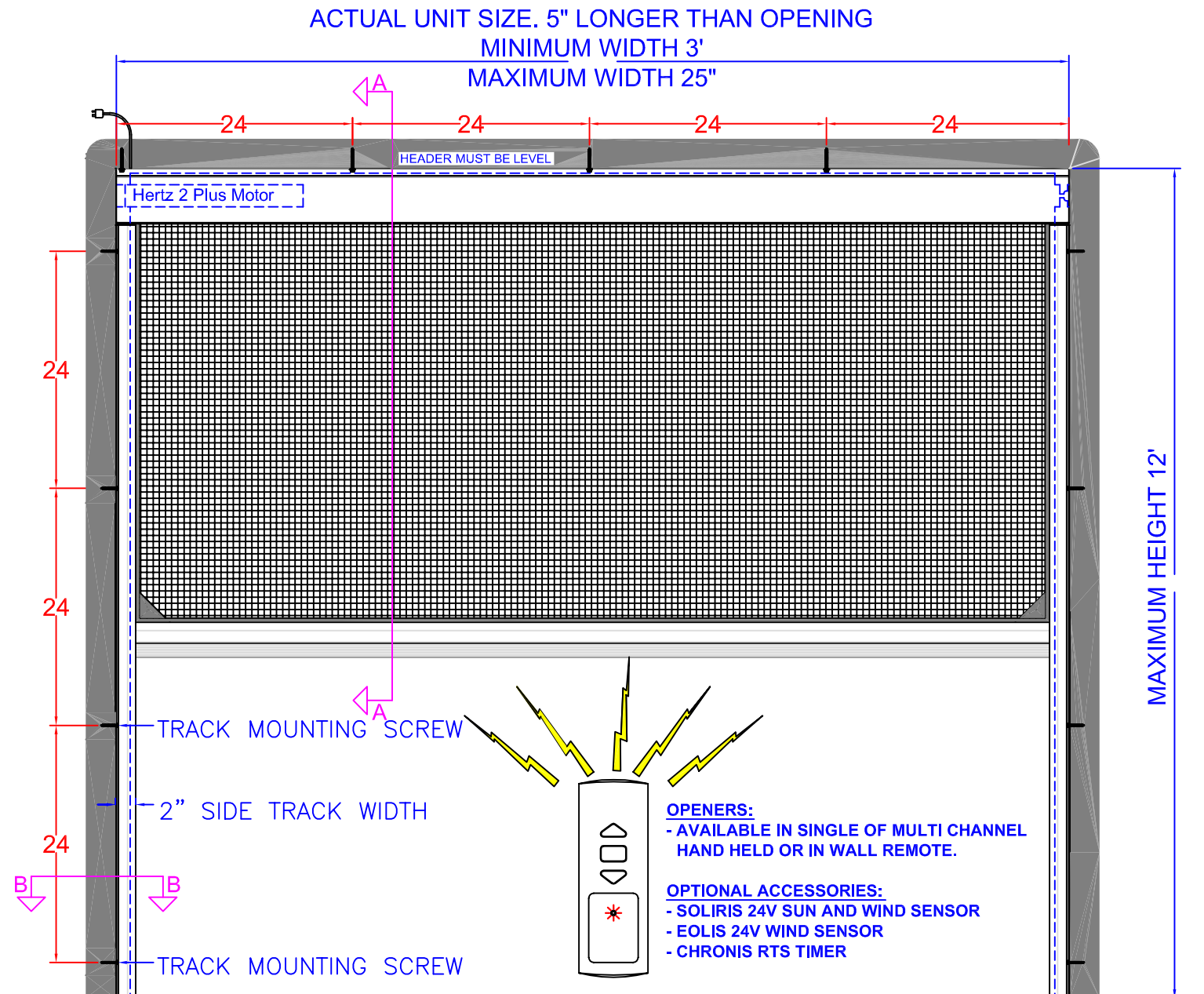


- A) 110 V. 6' LEAD C/W PLUG, MOTOR & PLUG CAN BE POSITIONED AT EITHER END OF SCREEN UNIT.
- B) DOUBLE INTERMEDIATE SCREWS, 24" SPACING (NOT PROVIDED 2" X #12 PAN OR HEX HEAD)
- C) SINGLE END MOUNTING SCREW, LOCATED BETWEEN RIVETS OF CAST END CAP. SCREWS (NOT PROVIDED) RECOMMEND 2" X #12 PAN OR HEX HEAD
- D) HOOD COVER SCREW (PROVIDED)
- E) CAST END CAP
- F) SCREEN MESH
- G) CHAMFERED ENTRANCE TO SCREEN TRACK
- H) SIDE TRACK
- I) SIDE TRACK COVER
- J) WEIGHT BAR
- K) PROBE
- L) BOTTOM SEAL
- M) SIDE TRACK MOUNTING SCREW (NOT PROVIDED) RECOMMEND 2" X #12 PAN HEAD
- N) SCREEN RETENTION ZIPPER

MIRAGE MOTORIZED SCREEN 5 1/2" HOOD

OAH (OUTSIDE ABOVE HEADER)

NOTE: SCREEN UNIT MUST EXTEND PAST THE OPENINGS BY A MINIMUM OF 2 1/2" EACH SIDE.



OPENERS:
 - AVAILABLE IN SINGLE OR MULTI CHANNEL
 - HAND HELD OR IN WALL REMOTE.

OPTIONAL ACCESSORIES:
 - SOLIRIS 24V SUN AND WIND SENSOR
 - EOLIS 24V WIND SENSOR
 - CHRONIS RTS TIMER

MAXIMUM OF 2% SLOPE CAN BE ACCOMMODATE AT GROUND LEVEL

NOTE: BUILDING GENERAL CONTRACTOR IS RESPONSIBLE FOR PROVIDING ADEQUATE BACKING IN WALLS AND HEADERS TO AFFIX SCREEN UNITS TO THE BUILDING

 9747 199A Street, Langley, BC, Canada, V1M 2X7 Phone: 604-888-7655 info@alcoventures.com Fax: 604-888-1718 www.alcoventures.com	Product Line...	PROJECT:	LOCATION:	MIRAGE MOTORIZED SCREEN		MOUNTING:		Motorized Screen	SEAL
		STANDARD SCREEN APPLICATION & DETAILS	N/A	SCREEN	OUTSIDE ABOVE HEARDE	5 1/2" Hood			
	CLIENT:	N/A	DRAWN PS PROJECT No YEAR / No	1	DATE	ISSUED FOR REVIEW	DRAWING No		
	N/A	N/A	DESIGNED PS CHECKED N/A	No	DATE	ISSUED - REVISION	OAH 5.5 HOOD		
		SCALE NTS CHECKED DATE							